

● VALVOLA DI REGOLAZIONE 2 VIE



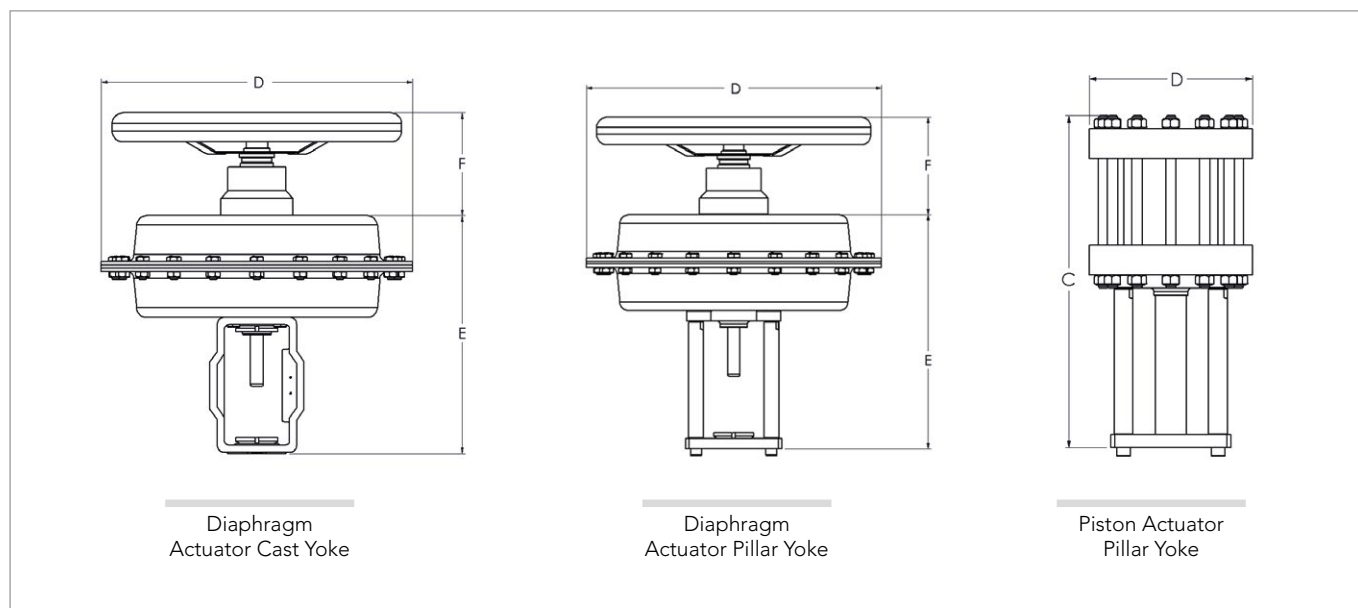
Valvola di Regolazione a 2 Vie per gas, vapore o liquidi. Complete di Attuatore Pneumatico

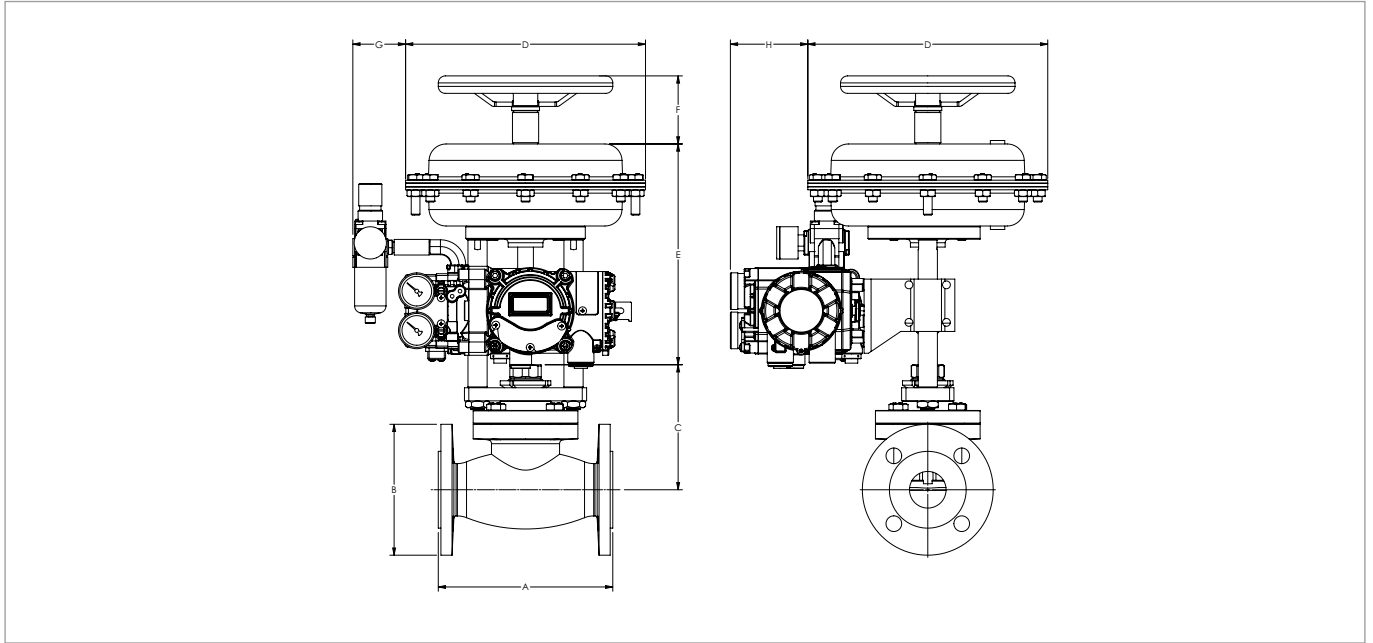
- Dimensioni disponibili da DN15 a DN100 e da 1/2 "a 4".
- Rating di pressione disponibili DIN da PN10 a PN40.
- Grado di pressione disponibile ANSI da 150 libbre a 300 libbre.

Pressure and Temperature Ratings

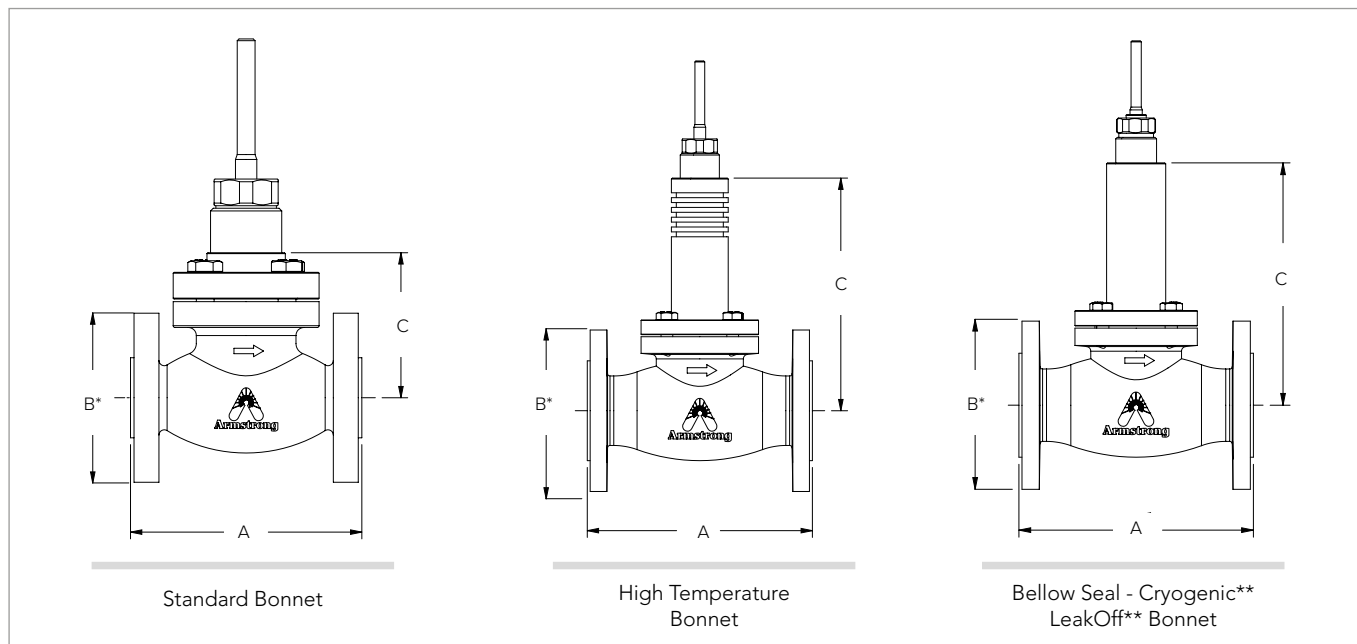
Body & Bonnet Material	Bonnet Style	Packing	Body Gasket	Trim Style	Temperature Unit °C Min / Max	
DIN 0.7040 ASTM A395 (GJS400-18) Ductile Iron	Bellow Seal	Graphite	Graphite laminate	Metal (All Severe Service Trim)	-10	300*
DIN 1.0619 ASTM A216 WCB Carbon Steel	Bellow Seal	Graphite	Graphite laminate (Spyrometallic)	Metal (All Severe Service Trim)	-29	300*
DIN 1.4581 ASTM A351 CF8M Stainless Steel	Cryo Design	RPTFE or Graphite	Graphite laminate (Spyrometallic)	Metal (All Severe Service Trim)	-196	210*
	Bellow Seal	Graphite			-60	300*
DIN 1.6220 ASTM A352 LCB Low Temp Alloy Steel	Bellow Seal	Graphite	Graphite laminate (Spyrometallic)	Metal (All Severe Service Trim)	-46	250*
DIN 1.5419 ASTM A217 WC6 High Temp Alloy Steel	Bellow Seal	Graphite	Graphite laminate (Spyrometallic)	Metal (All Severe Service Trim)	-29	300*

* Maximum allowable temperature of Gases without Condensation Pot is 120°C.





Actuator Type	D = Actuator Diameter (mm)	E = Actuator Height (standard)		F = Top Handwheel		G Filter Regulator (mm)	H Linear Positioner (mm)
		Cast Yoke (mm)	Pillar Yoke (mm)	Maximum Height Reverse Action (mm)	Maximum Height Direct Action (mm)		
S.200	205	235	285	120	150	80	75
S.275	280	265	315	120	150	80	75
S.335	340	275	325	150	180	80	75
S.430	435	355	405	150	180	80	75
S.430s	435	380	465	200	240	80	75
S.500	510	390	430	200	240	80	75
P.250	310	-	557	300	350	80	75
P.390	450	-	557	300	350	80	75



Valve DN (inch)	A = Face to Face length (mm) According to EN 558-1 / DIN 3202		C = Bonnet height (mm)			
	PN16 PN25 PN40	PN63 PN100	Standard Bonnet	High Temperature Bonnet	Bellow Seal Bonnet	Cryo Design Bonnet
			Up to PN100	Up to PN100	Up to PN100	Up to PN100
15 1/2"	130	210	80	165	225	580
20 3/4"	150	230	80	165	225	580
25 1"	160	230	85	155	220	585
32 1-1/4"	180	260	85	160	225	590
40 1-1/2"	200	260	105	180	235	605
50 2"	230	300	110	185	240	610
65 2-1/2"	290	340	160	240	260	660
80 3"	310	380	170	250	270	670
100 4"	350	430	185	275	285	690
125 5"	400	500	230	335	415	730
150 6"	480	550	250	370	450	750
200 8"	600	650	280	410	490	780

Valve DN (inch)	A = Face to Face length (mm) According to ANSI/ISA 75.08.01				C = Bonnet height (mm)									
	PN20 (Cl. 125 and 150)		PN50 (Cl. 250 and 300)		Standard Bonnet		High Temp. Bonnet		Bellow Seal Bonnet		Cryo Design Bonnet		Leak Off Bonnet	
	mm	inch.	mm	inch.	mm	inch.	mm	inch.	mm	inch.	mm	inch.	mm	inch.
15 1/2"	184	7.25	190	7.50	80	3.15	165	6.49	225	8.86	580	22.83	305	12.00
20 3/4"	184	7.25	194	7.62	80	3.15	165	6.49	225	8.86	580	22.83	305	12.00
25 1"	184	7.25	197	7.75	85	3.35	155	6.10	220	8.66	585	23.03	300	11.81
40 1-1/2"	222	8.75	235	9.25	105	4.13	180	7.08	235	9.25	605	23.82	320	15.60
50 2"	254	10.00	267	10.50	110	4.33	185	7.28	240	9.45	610	24.01	325	12.79
65 2-1/2"	276	10.88	292	11.50	160	6.30	240	9.45	260	10.24	660	25.98	360	14.17
80 3"	298	11.75	318	12.50	170	6.69	250	9.84	270	10.63	670	26.38	370	14.56
100 4"	352	13.88	368	14.50	185	7.28	275	10.83	285	11.22	690	27.16	385	15.16
150 6"	451	17.75	473	18.62	250	9.84	370	14.56	450	17.72	750	29.53	570	22.44
200 8"	543	21.38	568	22.38	280	11.02	410	16.14	490	19.29	780	30.71	610	24.00

*Dimensions B according to DIN EN1092-1 and ASME B16.5.

**For Cryogenic Bonnet, designed according to BS 6364 and Special Leak Off Bonnet, designed for toxic and lethal service, height could not be modified according to specific process requirement (Consult Armstrong Delta 2).